

KOHLER[®]

TELLIEUR[™] STORAGE DRAWERS

INSTALLATION INSTRUCTIONS

MATERIALS NEEDED:

- Level
- Square
- Drill
- Measuring Tape
- Pencil
- Safety Glasses
- Fasteners (see **steps 3., 4. & 6.**)
- Wax Crayon (provided)

BEFORE YOU BEGIN

1.

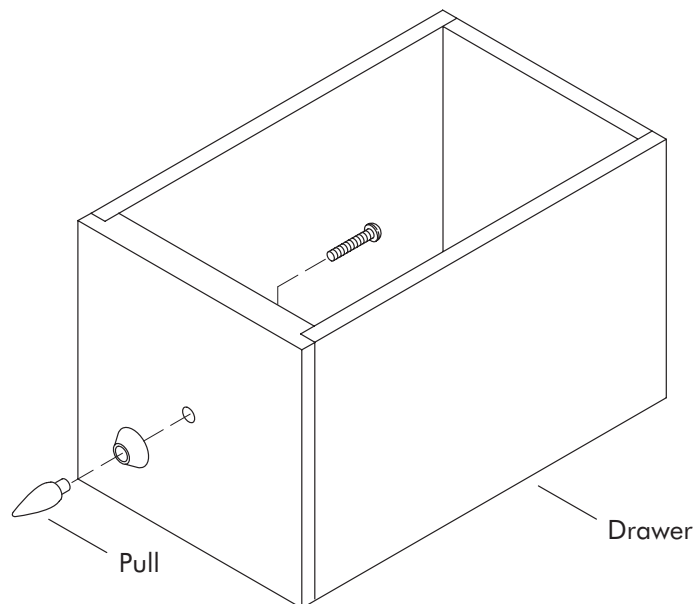
Unpack the drawer unit and drawers, and inspect for damage.

DRAWER PULL INSTALLATION

2.

Drawer pulls come installed backwards. Remove pulls and reinstall properly.

Securely hand tighten.



INSTALLATION OF DRAWER UNIT TO WALL

3.

NOTE: Before proceeding, verify whether the cabinet is a filler unit (2 equal-sized drawer compartments), a 2-drawer vertical unit (one small and one large drawer), or a 3-drawer unit.

NOTE: Vertical units may not be installed horizontally and horizontal units may not be installed vertically.

CASE DRAWER UNITS:

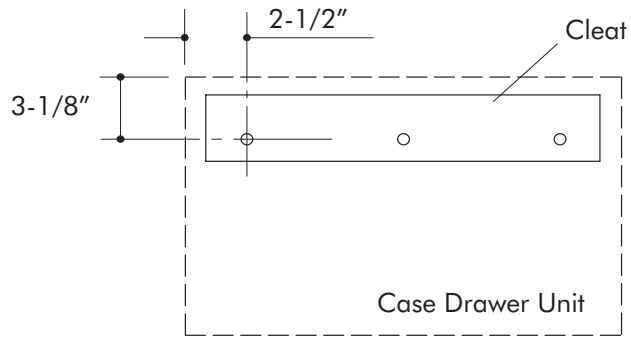
Determine the desired location of the case drawer unit.

Measure down 3-1/8" from where the top edge of the case drawer will be located and 2-1/2" in from where the left edge will be located. Make a mark at this point.

While holding the cleat with the largest side facing away from the wall, align the left hole in the cleat with the mark on the wall.

Make sure cleat is level and predrill holes into the wall to align with the holes in the cleat. Use a drill of adequate diameter to accommodate fasteners (not provided).

Secure cleat to wall with fasteners (not provided).



2-DRAWER VERTICAL UNITS:

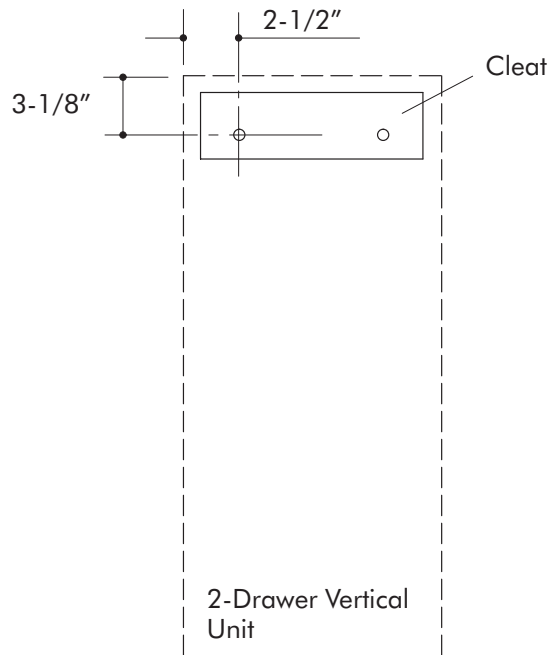
Determine the desired location of the drawer unit.

Measure down 3-1/8" from where the top edge of the storage unit will be located and 2-1/2" in from where the left edge will be located. Make a mark at this point.

While holding the cleat with the largest side facing away from the wall, align the left hole in the cleat with the mark on the wall.

Make sure cleat is level and predrill holes into the wall to align with the holes in the cleat. Use a drill of adequate diameter to accommodate fasteners (not provided).

Secure cleat to wall with fasteners (not provided).



3-DRAWER UNITS:

Determine whether you have a horizontal or vertical drawer unit. Check orientation of large drawer to verify.

NOTE: When installing a horizontal unit the large drawer must be installed on the left-hand side.

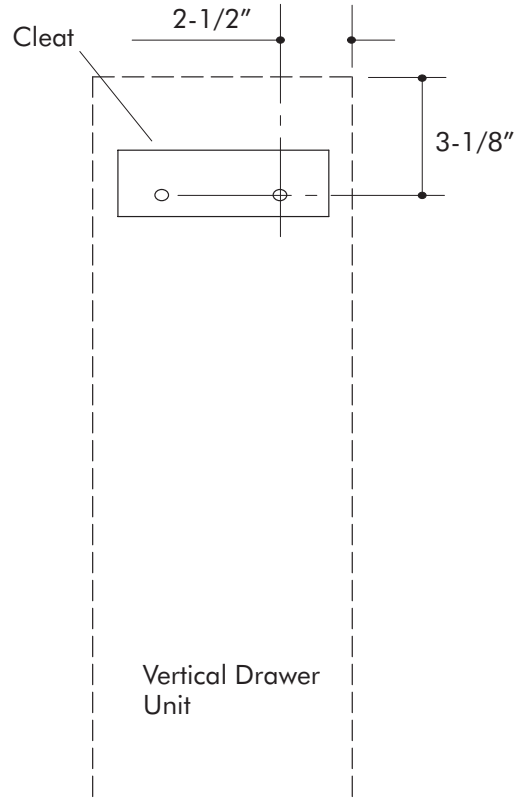
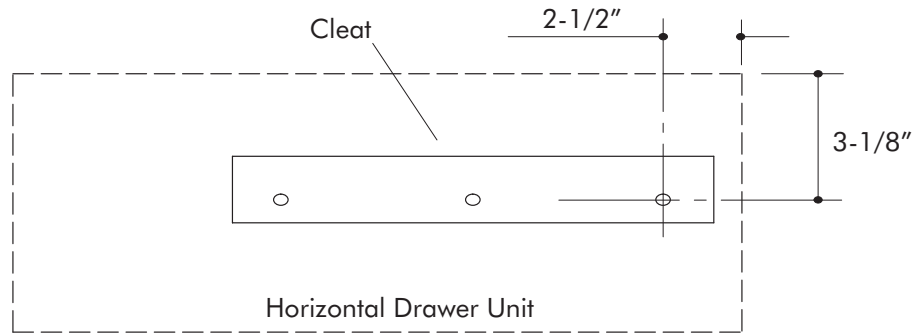
Determine the desired location of the drawer unit.

Measure down 3-1/8" from where the top edge of the drawer unit will be located and 2-1/2" in from where the right edge will be located. Make a mark at this point.

While holding the cleat with the largest side facing away from the wall, align the right hole in the cleat with the mark on the wall.

Make sure cleat is level and predrill holes into the wall to align with the holes in the cleat. Use a drill of adequate diameter to accommodate fasteners (not provided).

Secure cleat to wall with fasteners (not provided).

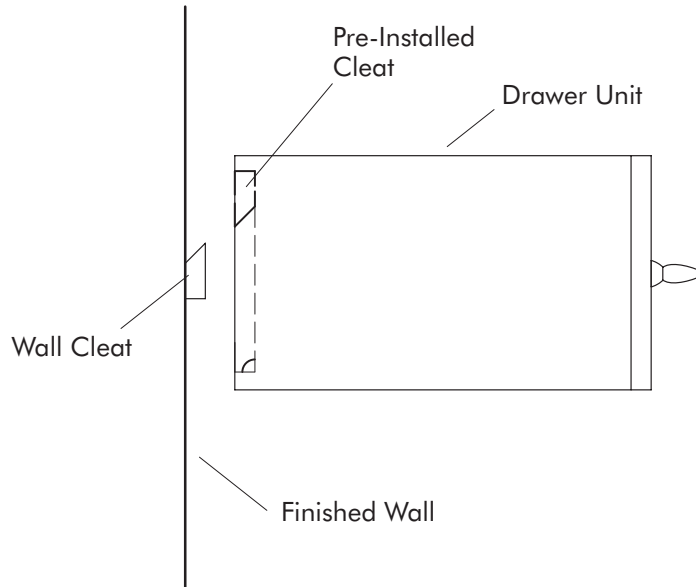


4.

Position the drawer unit on the wall so the cleat that is pre-installed on the back of the unit rests on the cleat on the wall. Make sure the unit is centered on the cleat.

Measure 1/2" up from the bottom inside edge and approximately 1–2" from either side. Drill a hole at each location through the back of the box, spacer block, and into the wall. Use a drill of adequate diameter to accommodate fasteners (not provided).

Secure with fasteners (not provided).



DRAWER INSTALLATION

5.

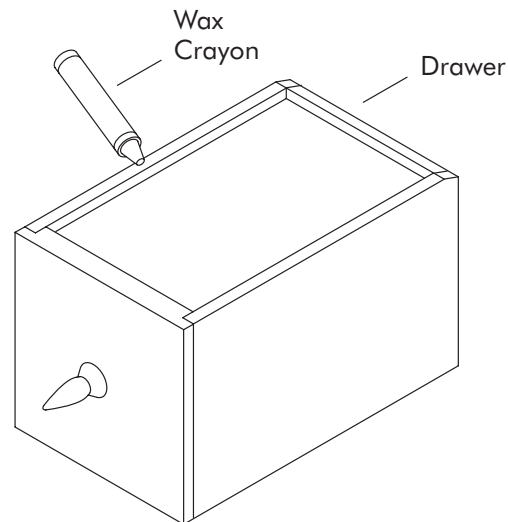
Wax drawer guides with wax crayon (provided). In order to preserve the finish of this piece, wax the drawer glides twice a year.

Insert drawers.



CAUTION: RISK OF PERSONAL INJURY OR PRODUCT

DAMAGE. Be careful when pulling out drawers. Drawers slide completely out of the cabinets. Provide support with your hand underneath the drawer when inserting or removing drawers.






STACKING MULTIPLE UNITS

6.



CAUTION: RISK OF PERSONAL INJURY OR PRODUCT DAMAGE.

The following cautions apply to stacking on freestanding bases.

-  The higher units are stacked, the more unstable the assembly becomes.
-  If units are utilized in a manner where most of the weight is placed in the upper part of the cabinet the units may become unstable.
-  If units are stacked above 60" high the assembly becomes very unstable.

NOTE: When stacking units on wall-mount bases, make sure to secure each cabinet to the wall.

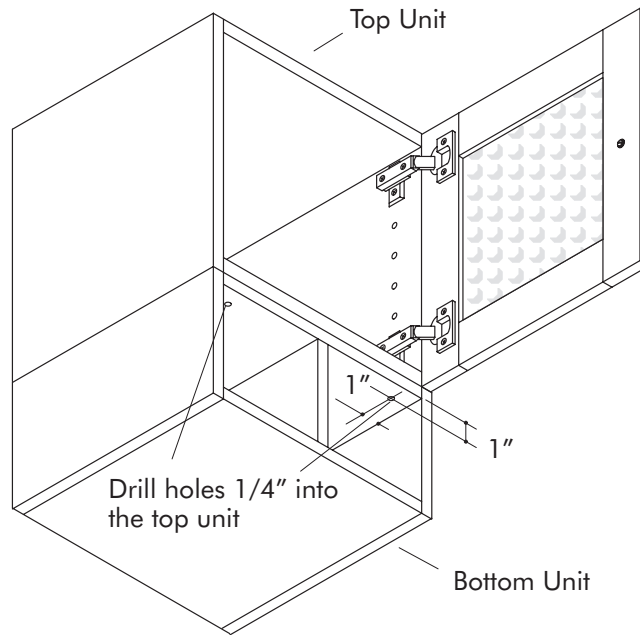
NOTE: Only the case drawers may be stacked with the storage cases or other case drawers. The case drawers have two equal sized drawer compartments.

Stack the two units on top of one another. Make sure units are square to each other.

Measure in from the front edge of the top unit approximately 1" and approximately 1" from either side. Mark each location.

Drill a hole at each mark through the top of the bottom unit and approximately 1/4" into the bottom of the top unit. Do not drill completely through the bottom of the top unit. Make sure to use a drill of adequate diameter to accommodate fasteners (not provided).

Secure with fasteners (not provided).



CALL US FOR HELP

Questions? Problems? First review the installation instructions to ensure correct installation. For additional assistance in the USA, call our Customer Service Department for direct help. You may also contact us at our web site.

THE BOLD LOOK
OF **KOHLER**®

1-800-4-KOHLER
www.kohlerco.com